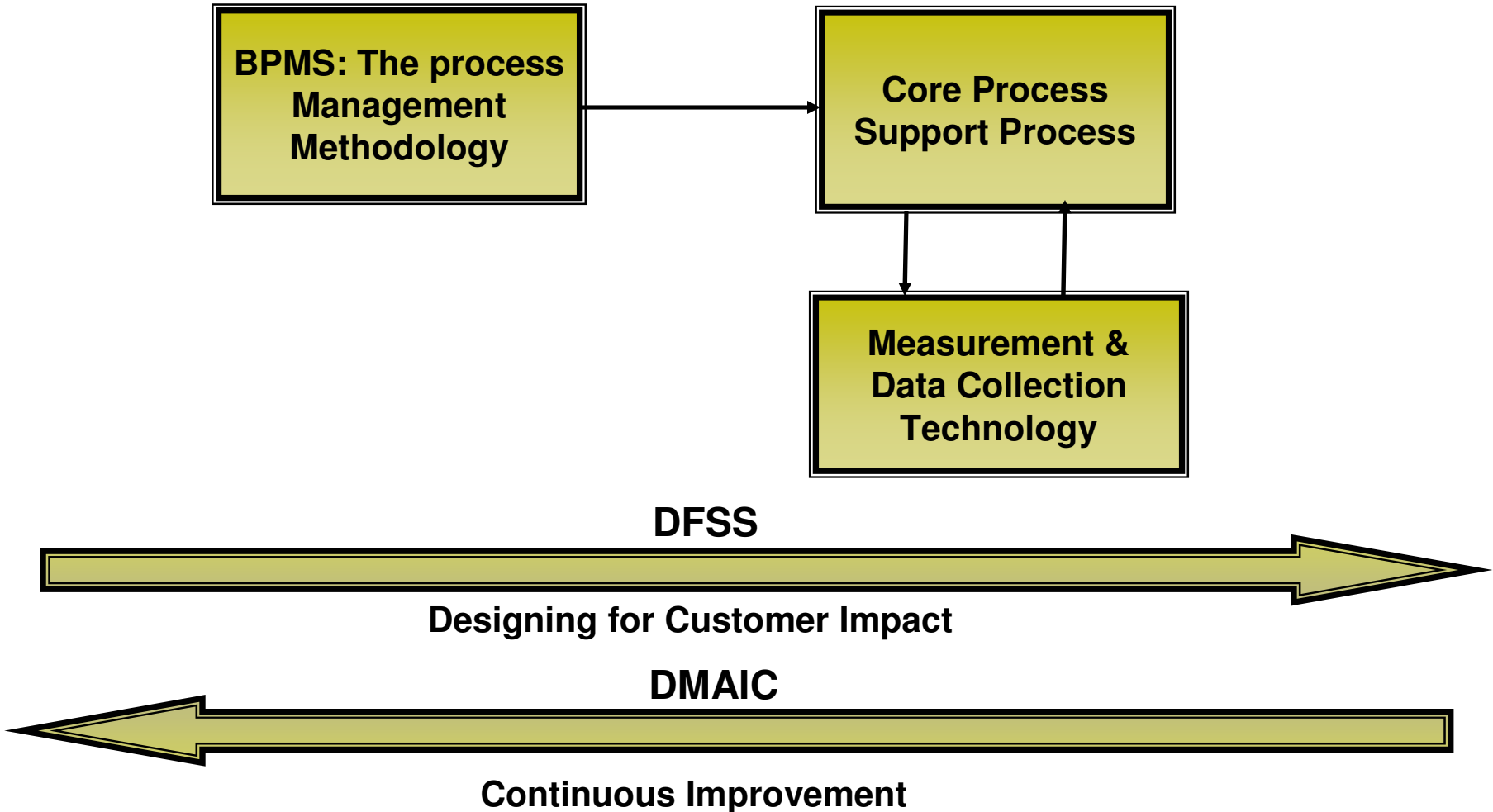
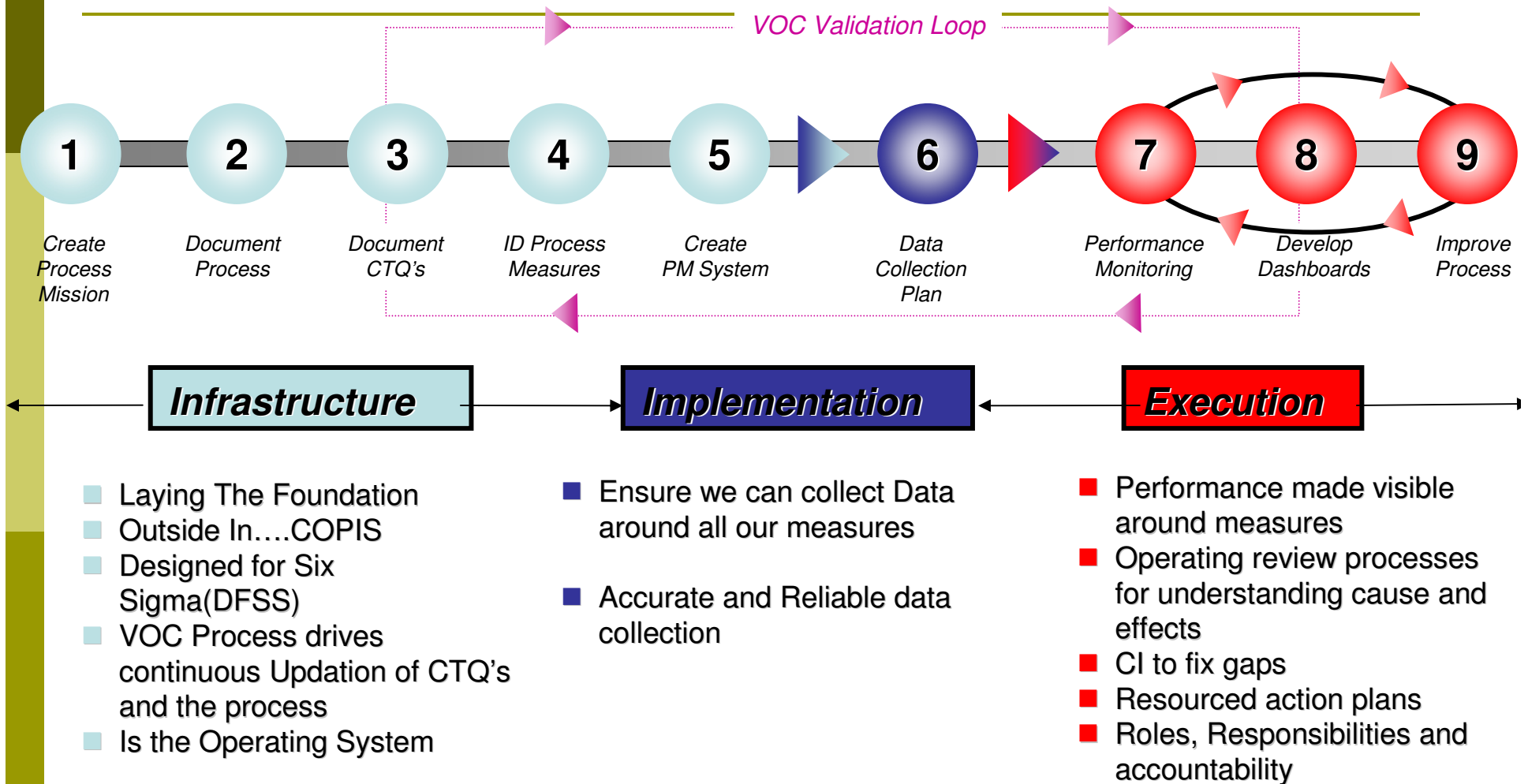




Service Delivery Model

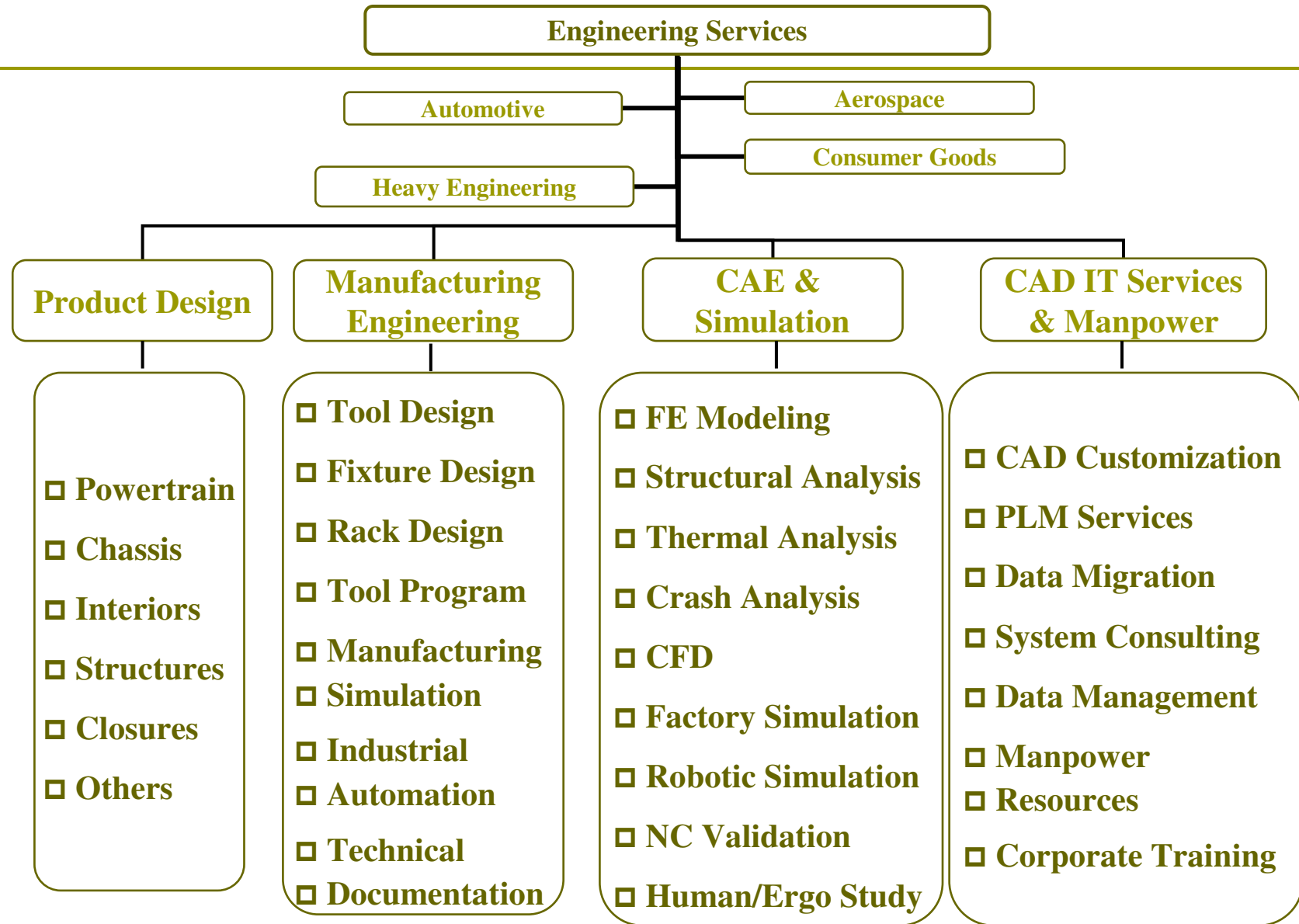


BPMS Deployment



Aligning Process Goals with Key Customer Requirements

Engineering Services



Engineering services

(Domain Expertise)

□ **Aerospace**

We incorporate the design and analysis of an Aircraft / Spacecraft development which includes:

- Design optimization through increased rigidity
- Weight and Cost Reduction of different components/sub-systems.

□ **Automobile**

Our team has Automotive Product Design & Development expertise that includes:

- Engineering Design
- Engineering Analysis
- Virtual Simulation
- Digital Manufacturing
- Product Data Management.

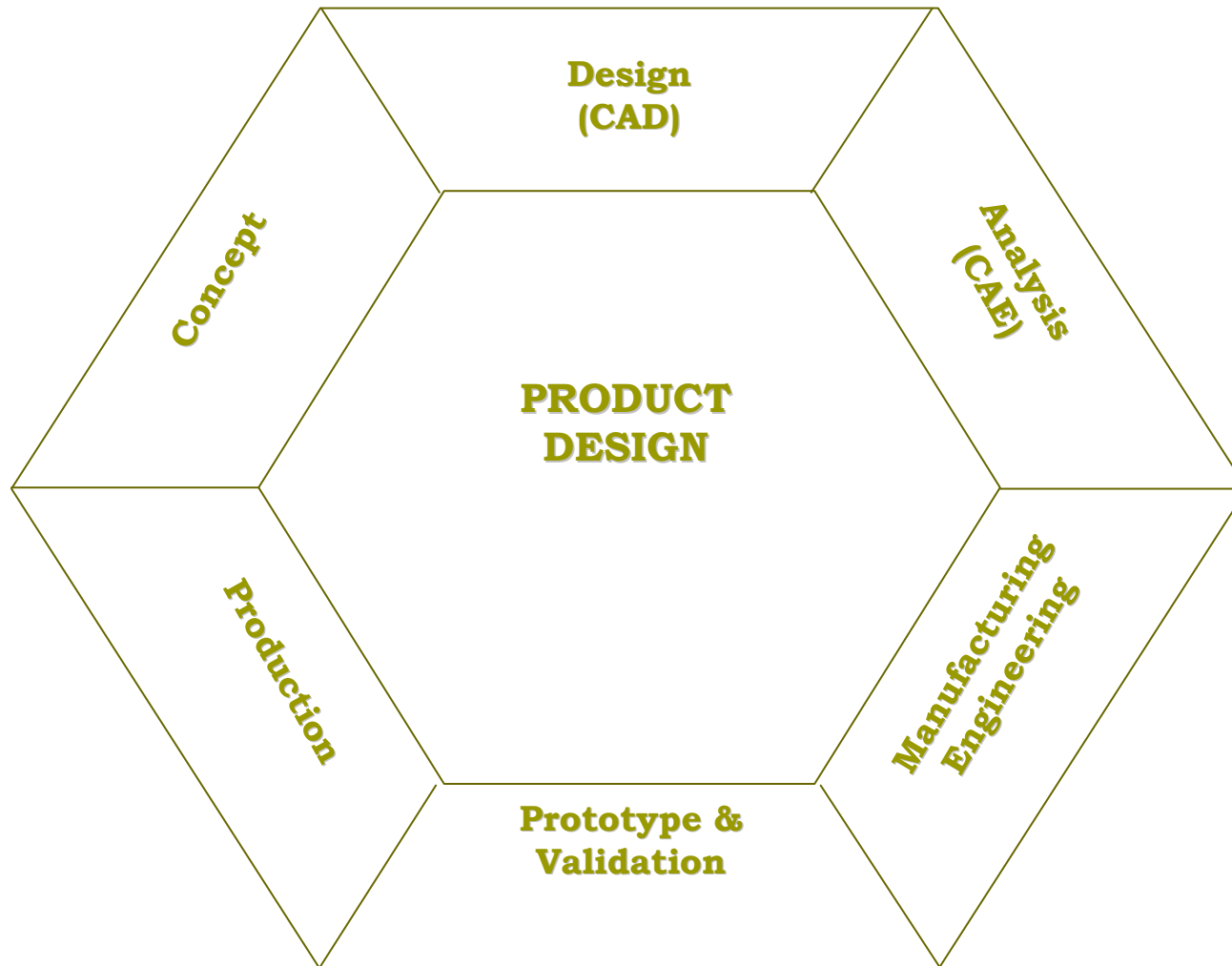
Engineering services (Domain Expertise)

□ **Heavy Engineering & Consumer Goods**

Our service assistance in this upright cover:

- Earth moving
- Mining and Plant Equipments
- Household and commercial appliances such as washing machines, refrigerators, dryers and cooking ranges

Engineering Services



Product Design

Our Product Design capabilities have been proven many times over. Using the concepts of industrial design as inputs for product design and detailed design, this phase includes:

- ❑ Part Design
- ❑ Surface Design and the complete assembly of the product. This includes 3D Modeling and Surface Modeling.

Design services offered

- ❑ Concept design, Detailing & Drafting
- ❑ 2D / 3D Modeling
- ❑ Legacy Data and Drawings Conversion Reverse Engineering
- ❑ Platform Migration
- ❑ Customization of commercial CAD/CAM software's to suit the local requirements
- ❑ Manufacturing simulation & optimization
- ❑ Rapid prototyping

Manufacturing Engineering

Our Manufacturing Engineering practice provides world-class services across the entire spectrum of tool design, jigs and fixture design, tool and component manufacturing support and prototyping. From process sheets modeling to product cataloging, pre and post production to manufacturing process simulation, Consistent had experienced it all.

Our key capabilities include:

- ❑ Process Sheet creation
- ❑ Digital Realization of Assembly Plants
- ❑ Container Design
- ❑ Assembly Plant Machinery Installation Diagram
- ❑ Product Catalogues
- ❑ PFMEA, Control Plan, Product Part Approval Process (PPAP) facilitation
- ❑ GD&T, CMM drawings
- ❑ Pre-production / Production
 - Designing of Casting and Sheet Metal Dies
 - Mold design and Mold flow analysis
 - Fixtures Design: Welding, Machining, Testing and Checking

Digital Manufacturing

- ❑ We use high-end simulation tools to analyze flow characteristics and structural characteristics for accurate tool design and optimization.
- ❑ We use these for new designs, trouble shooting and yield improvement for existing designs.

Our key capabilities include:

- ❑ Production operations and machining process
- ❑ Assembly definition and sequencing
- ❑ Detailed line, cell, station, and task design
- ❑ Simulation and analysis of shop-floor activities, facilities, resources and capabilities
- ❑ Robotics and machine simulation
- ❑ Ergonomics

Computer Aided Design (CAD)

- ❑ **CAD** - a major practice of Consyistent provides its clients a suite of design services to improve their products, processes and profitability.
- ❑ Highly skilled technical consultants, with diverse industry experience and years of domain functional knowledge, form the rich resource at consyistent.

CAD Expertise

Our expertise:

- ❑ Concept Design
- ❑ Part Design
- ❑ Surface modeling
- ❑ Re-Engineering
- ❑ Reverse Engineering
- ❑ Engineering Changes
- ❑ 2D/3D Modeling
- ❑ Layout drawings
- ❑ CAD customization
- ❑ Knowledge based design

Domain areas:

- ❑ Seating System
- ❑ Engine System
- ❑ Braking System
- ❑ Power Train
- ❑ BIW
- ❑ Interiors

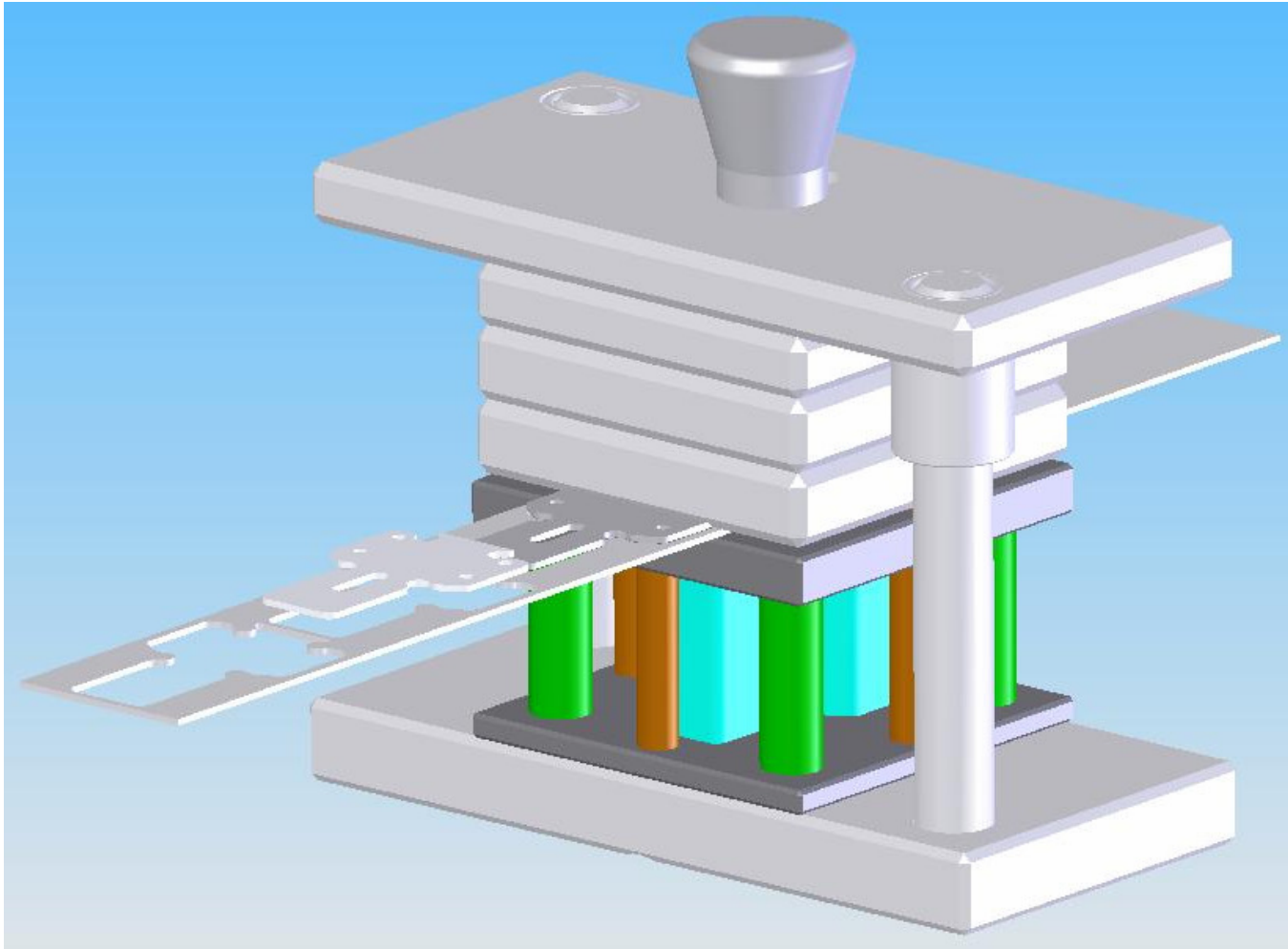
Software skills:

- ❑ CATIA V4 & V5
- ❑ UNIGRAPHICS
- ❑ I-DEAS
- ❑ PRO/Engineer
- ❑ Autodesk inventor
- ❑ Solid Works
- ❑ Solid Edge
- ❑ AutoCAD

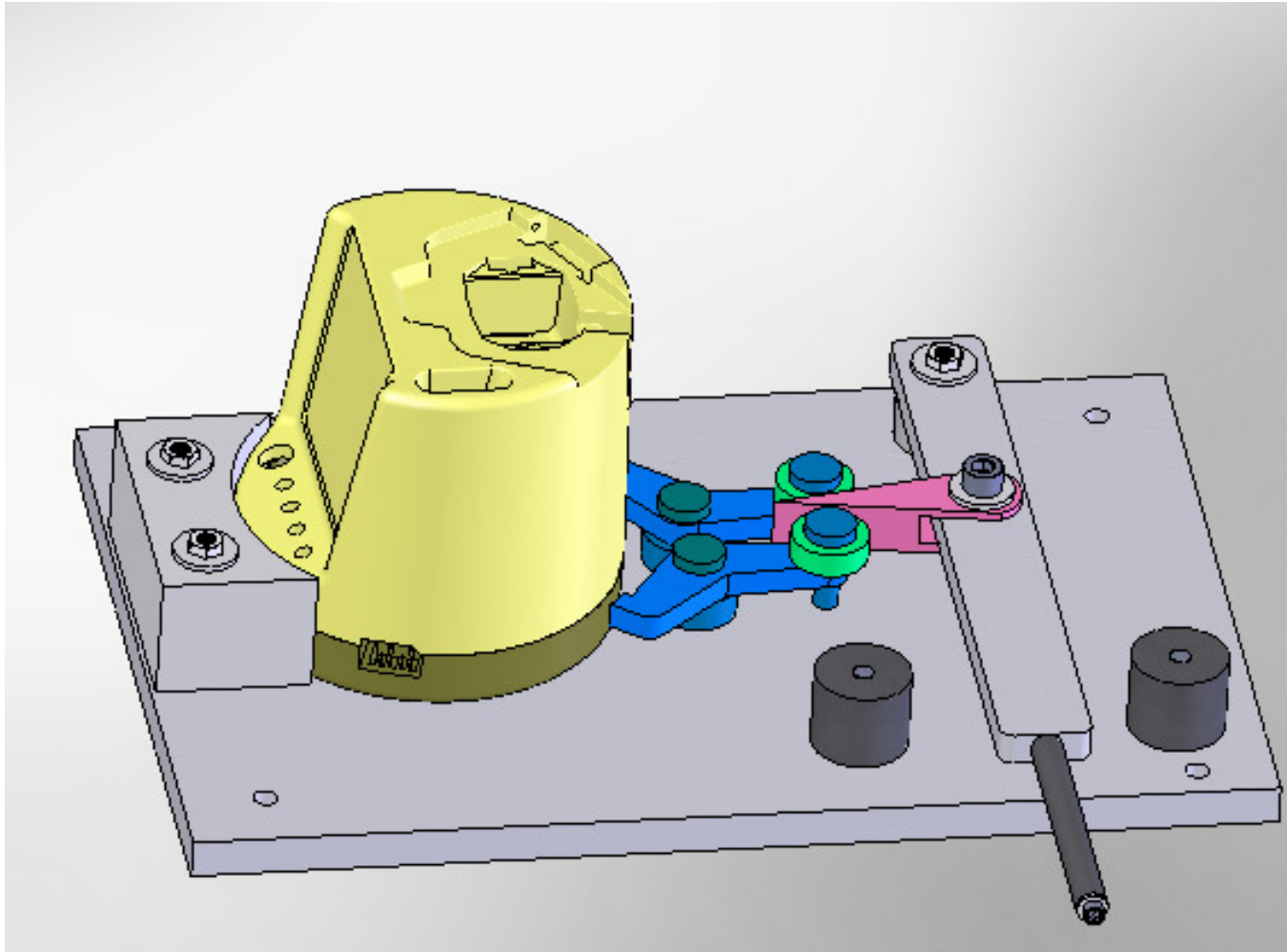
Computer Aided Engineering (CAE)

- Consistent offers a complete range of analysis and simulation solutions in vehicle development to optimize design and minimize program risk.
- Our core team at consistent consists of leading industry professionals with vast domain expertise. We have successfully executed complex design and development projects for Indian and Overseas companies.

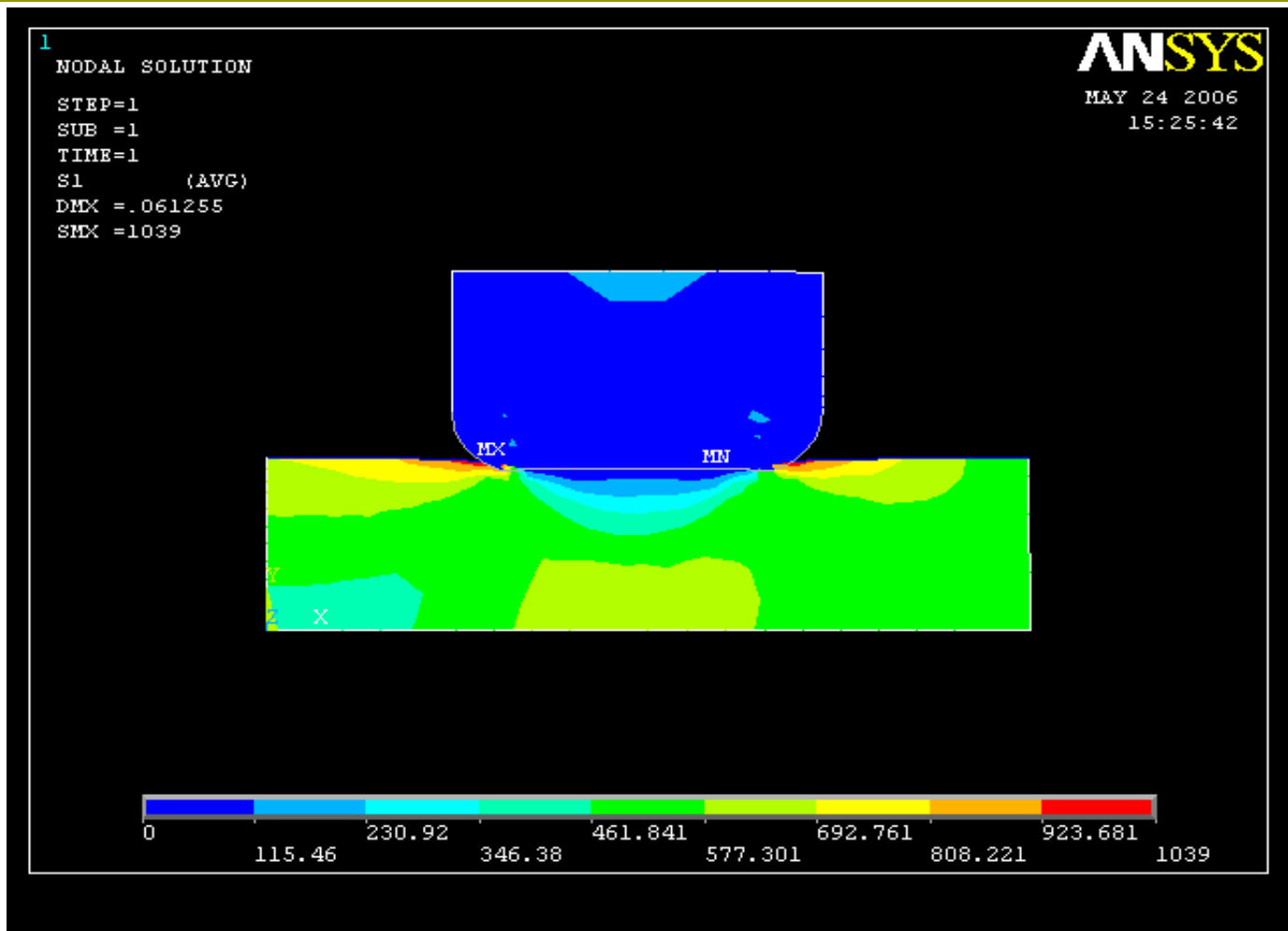
Jig and Fixture Design for Punching tool



Consumer Product Development LM Tool



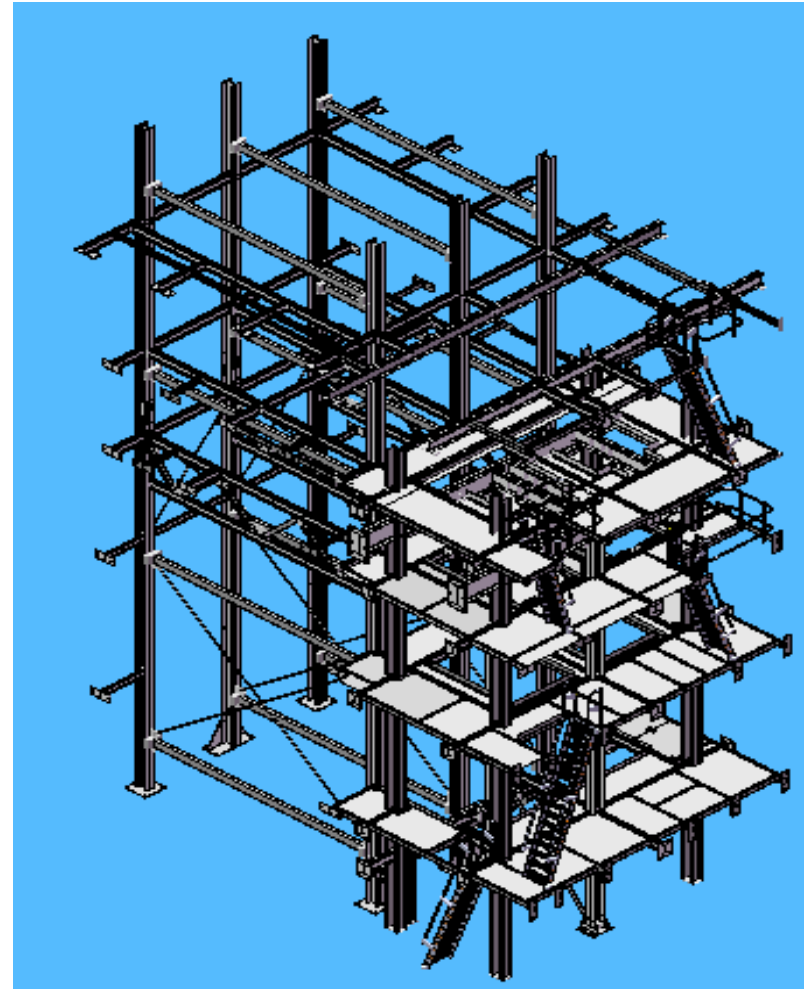
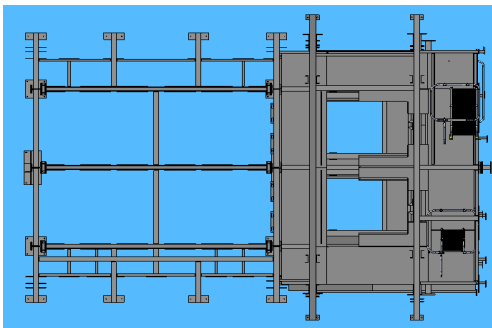
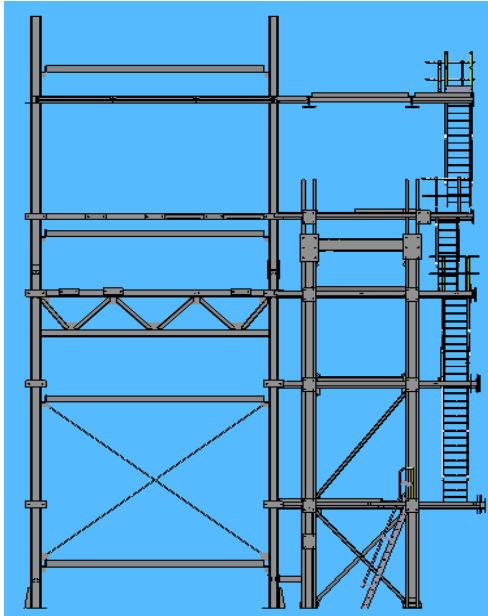
Fretting Fatigue Stress Simulation



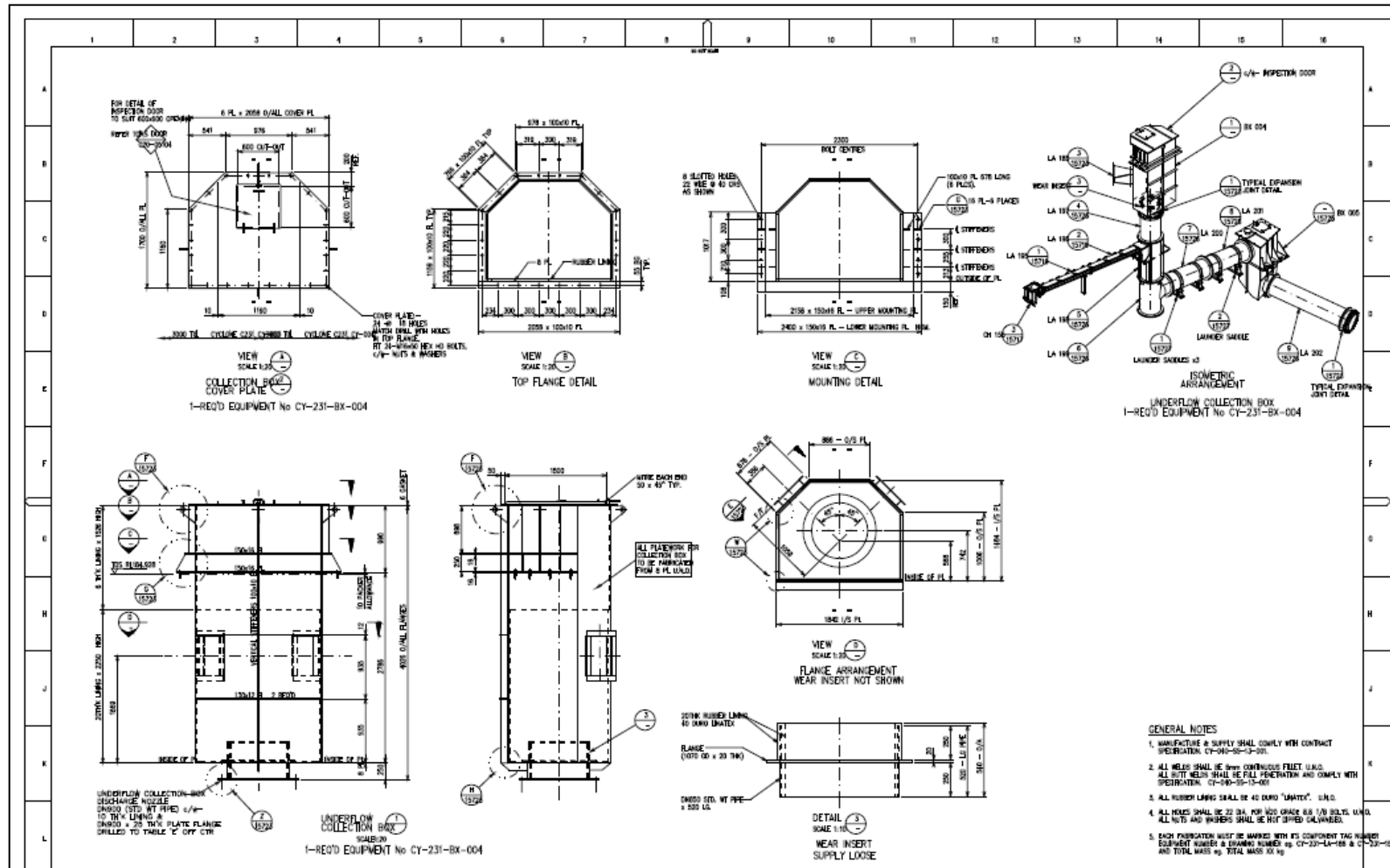
Dynamic Braking Grid Vibration Testing



Legacy conversion of Steel Structure



Detailing of Machine Components



Data Security

- ❑ Non-Disclosure Agreement will be signed.
- ❑ Secure Data Transfer through FTP. We provide the FTP server access (Login Id and Password)
- ❑ Documents shredded once used.
- ❑ Storage devices are not allowed in the office premises.
- ❑ All the data stored in a secure centralized server.
- ❑ Stringent physical security measures to prevent leakage of financial/design data.

Corporate office
Consyent Infotech (P) Ltd
#1469, 5th cross, Chandralayout 1st stage
Bangalore, INDIA

: +91 80 6452 0469

: +91 80 2339 2359

: enquiry@consyentinfo.com
sales@consyentinfo.com
adarsh@consyentinfo.com

Thank You!

www.consistentinfo.com

www.globaloutsource2india.com